

McKenzie Avenue @ Cedar Hill Road

Thursday, February 23, 2017

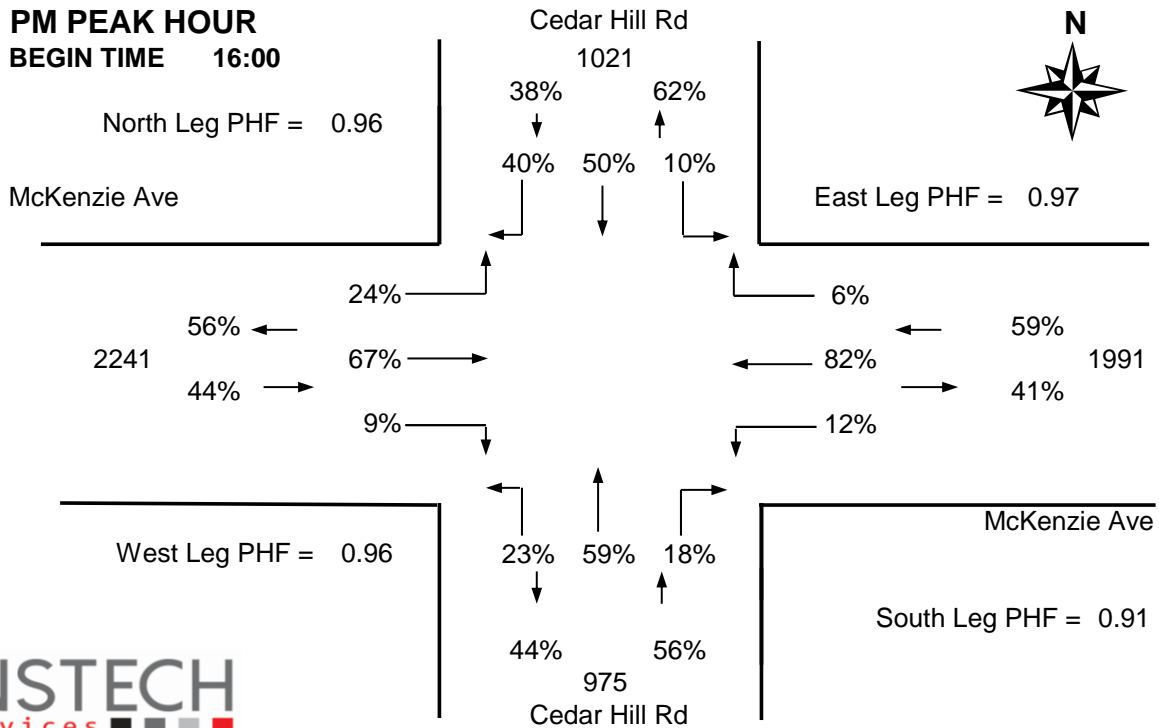
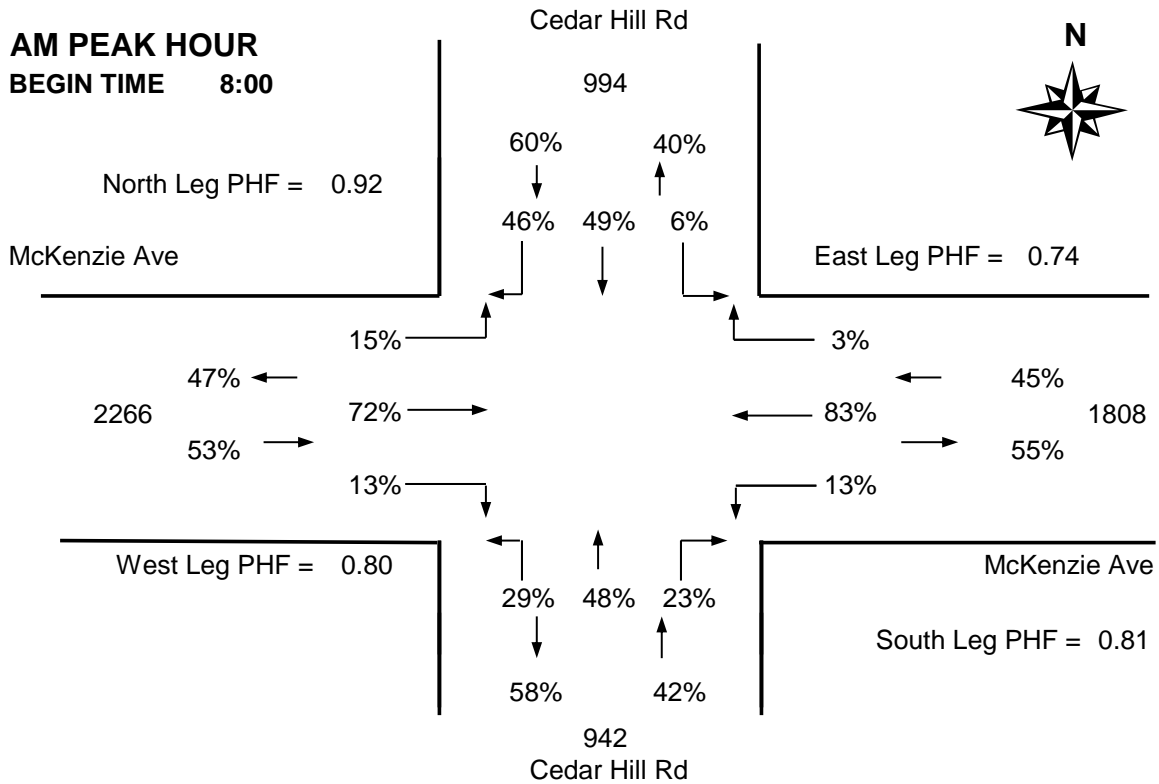


The data presented here is for information purposes only and should not be considered authoritative for construction, geotechnical, engineering, navigational, legal, or other site-specific uses. The information shared is owned by the Transportation Division of the Engineering Department at the District of Saanich. Accuracy is not guaranteed.

DISTRICT OF SAANICH 2017 TRAFFIC COUNTS

Major Route: McKenzie Avenue
Minor Route: Cedar Hill Road
Date: Thursday, February 23, 2017
Filename: McKenzie@Cedar Hill-Feb23-2017.xls

Station #: TIN000194
Intersection Type: 4-leg
East/West Route: McKenzie Avenue
Weather: Clear and dry



DISTRICT OF SAANICH 2017 TRAFFIC COUNTS

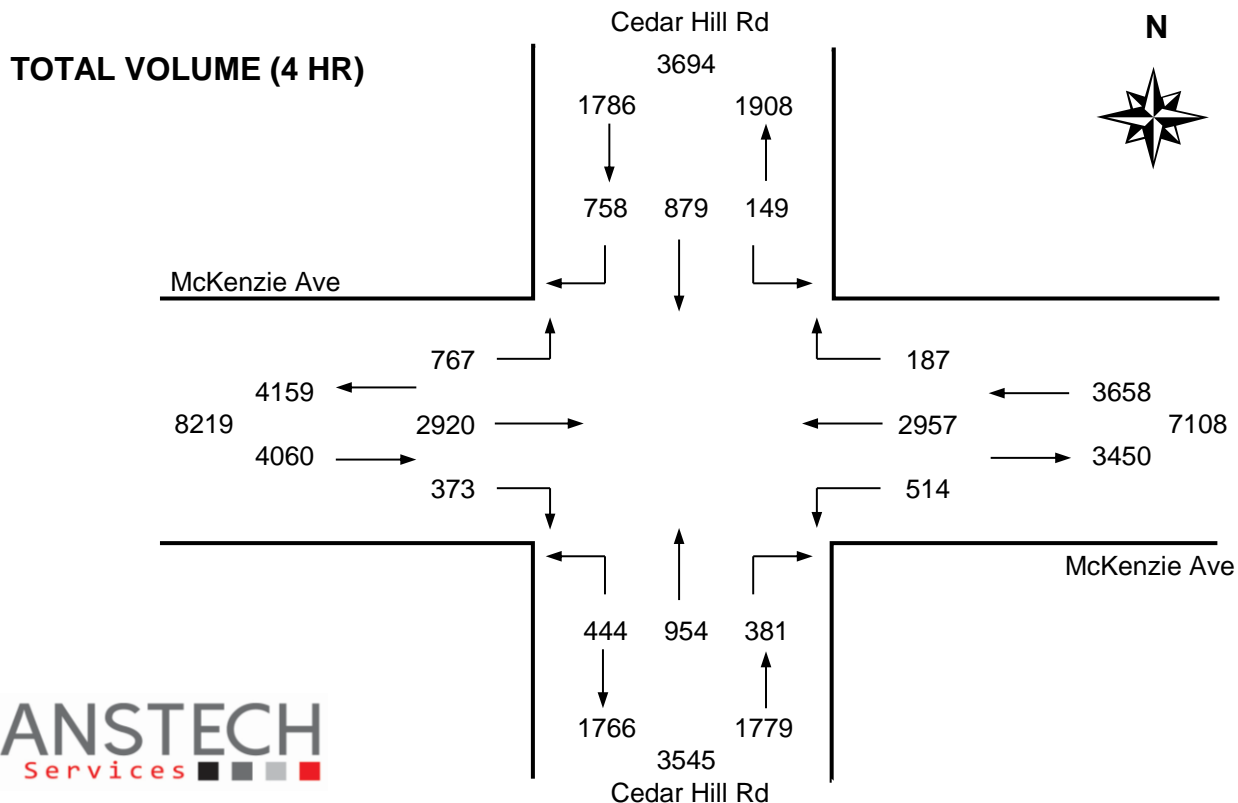
Major Route: McKenzie Avenue
Minor Route: Cedar Hill Road
Date: Thursday, February 23, 2017
Filename: McKenzie@Cedar Hill-Feb23-2017.xls

Station #: TIN000194
Intersection Type: 4-leg
East/West Route: McKenzie Avenue
Weather: Clear and dry

Comments:

Vehicle Data

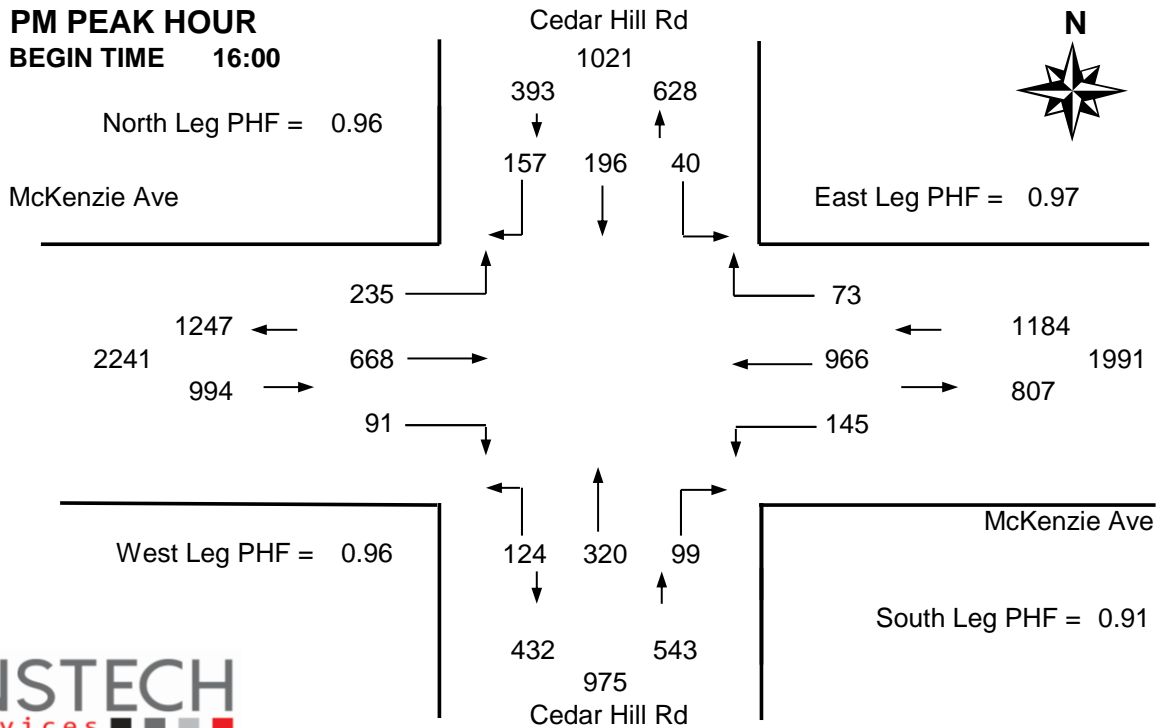
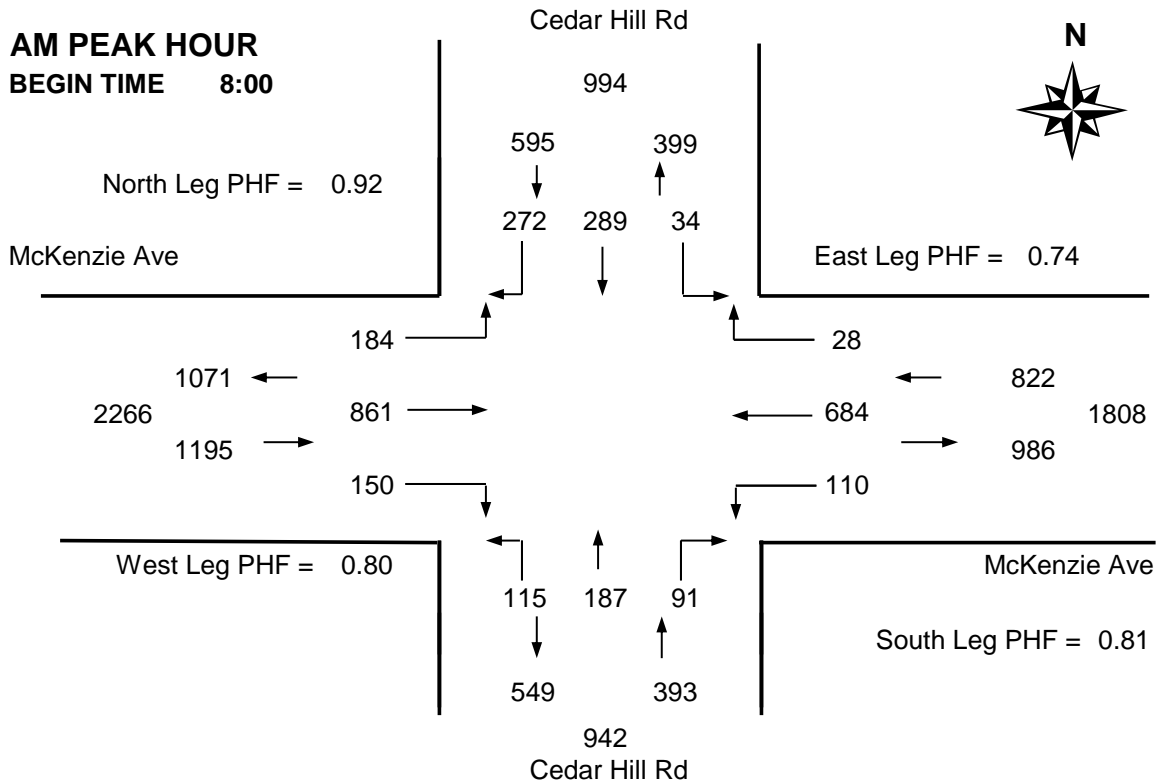
Time Period Starting	Cedar Hill Rd			Cedar Hill Rd			McKenzie Ave			McKenzie Ave			15 Min Total	Hourly Total	Pedestrians			
	From North			From South			From West			From East					N	S	W	E
	Left	Thru	Right	Left	Thru	Right	Left	Thru	Right	Left	Thru	Right						
7:30	6	72	44	21	23	12	25	121	12	22	112	2	472	-	2	4	2	0
7:45	9	51	52	20	30	22	31	200	22	34	123	6	600	-	0	11	2	6
8:00	8	81	69	15	26	14	35	210	27	18	138	5	646 *	-	2	20	6	6
8:15	11	69	67	36	57	29	67	243	62	29	151	7	828 +	2546	2	61	15	3
8:30	9	71	81	33	58	22	37	201	36	45	225	7	825 *	2899	2	14	6	3
8:45	6	68	55	31	46	26	45	207	25	18	170	9	706 *	3005	2	5	1	7
9:00	11	46	39	17	40	19	44	202	14	22	124	11	589	2948	3	5	2	7
9:15	9	51	36	16	31	28	40	189	13	12	122	5	552	2672	6	7	4	8
Total	69	509	443	189	311	172	324	1573	211	200	1165	52	5218	-	19	127	38	40
Pk Hr	34	289	272	115	187	91	184	861	150	110	684	28	3005 *	-	8	100	28	19
Pk Hr Factor	0.77	0.89	0.84	0.80	0.81	0.78	0.69	0.89	0.60	0.61	0.76	0.78	0.91	* = Peak hour + = Peak 15 minutes				
	0.92			0.81			0.80			0.74								
15:30	10	45	46	32	66	23	50	172	25	41	228	18	756	-	3	34	8	15
15:45	8	38	48	38	86	32	48	165	21	58	198	20	760	-	2	25	3	12
16:00	11	43	46	25	66	32	57	159	22	34	252	19	766 *	-	9	18	11	13
16:15	12	50	36	40	83	27	56	159	28	41	236	15	783 *	3065	4	5	6	5
16:30	10	47	36	29	88	17	55	174	24	30	240	27	777 *	3086	12	18	6	14
16:45	7	56	39	30	83	23	67	176	17	40	238	12	788 +	3114	2	16	7	10
17:00	12	46	30	39	76	28	46	170	18	37	218	12	732	3080	12	8	17	6
17:15	10	45	34	22	95	27	64	172	7	33	182	12	703	3000	20	14	4	16
Total	80	370	315	255	643	209	443	1347	162	314	1792	135	6065	-	64	138	62	91
Pk Hr	40	196	157	124	320	99	235	668	91	145	966	73	3114 *	-	27	57	30	42
Pk Hr Factor	0.83	0.88	0.85	0.78	0.91	0.77	0.88	0.95	0.81	0.88	0.96	0.68	0.99					
	0.96			0.91			0.96			0.97								



DISTRICT OF SAANICH 2017 TRAFFIC COUNTS

Major Route: McKenzie Avenue
Minor Route: Cedar Hill Road
Date: Thursday, February 23, 2017
Filename: McKenzie@Cedar Hill-Feb23-2017.xls

Station #: TIN000194
Intersection Type: 4-leg
East/West Route: McKenzie Avenue
Weather: Clear and dry



DISTRICT OF SAANICH 2017 TRAFFIC COUNTS

Major Route: McKenzie Avenue
Minor Route: Cedar Hill Road
Date: Thursday, February 23, 2017
Filename: McKenzie@Cedar Hill-Feb23-2017.xls

Station #: TIN000194
Intersection Type: 4-leg
East/West Route: McKenzie Avenue
Weather: Clear and dry

Comments:

Bicycle Data

Time Period Starting	Cedar Hill Rd			Cedar Hill Rd			McKenzie Ave			McKenzie Ave			15 Min Total	Hourly Total
	From North			From South			From West			From East				
	Left	Thru	Right	Left	Thru	Right	Left	Thru	Right	Left	Thru	Right		
7:30	0	1		0	0	1	0	3	1	0	2	0	8	-
7:45	0	2		0	0	0	0	9	0	0	4	0	15 +	-
8:00	0	4		0	0	0	0	7	0	0	4	0	15 *	-
8:15	0	2		0	0	0	0	8	1	0	2	0	13 *	51
8:30	0	3		0	1	1	1	6	1	0	2	0	15 *	58
8:45	1	1		0	0	0	1	4	0	1	2	0	10	53
9:00	0	0		0	0	0	0	5	1	0	2	0	8	46
9:15	0	2		0	0	0	0	6	0	0	1	0	9	42
Total	1	15	0	0	1	2	2	48	4	1	19	0	93	-
Pk Hr	0	11	0	0	1	1	1	30	2	0	12	0	58 *	-
15x4	4	16	0	0	4	4	4	32	4	4	16	0	88 +	-

15:30	0	1		0	0	0	0	1	0	0	5	0	7	-
15:45	0	0		0	3	0	1	1	0	1	0	0	6	-
16:00	0	0		1	2	2	1	1	0	1	2	1	11	-
16:15	0	1		0	1	0	0	0	0	0	3	1	6	30
16:30	0	0		0	0	0	0	6	1	2	2	1	12 *	35
16:45	0	0		2	3	0	0	5	1	0	12	0	23 +	52
17:00	0	1		0	0	0	0	3	0	0	5	0	9 *	50
17:15	0	0		1	0	0	0	3	0	0	7	0	11 *	55
Total	0	3	0	4	9	2	2	20	2	4	36	3	85	-
Pk Hr	0	1	0	3	3	0	0	17	2	2	26	1	55 *	-
15x4	0	12	0	16	36	8	8	80	8	16	144	12	340 +	-

4 Hr	1	18	0	4	10	4	4	68	6	5	55	3	178	356
------	---	----	---	---	----	---	---	----	---	---	----	---	-----	-----

PEAK HOUR SUMMARY

